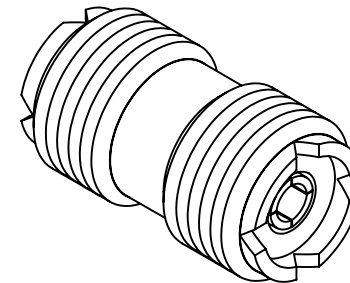
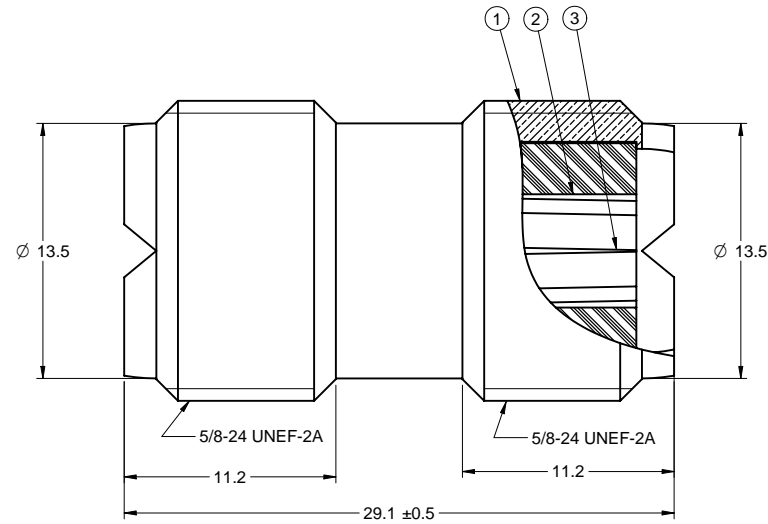
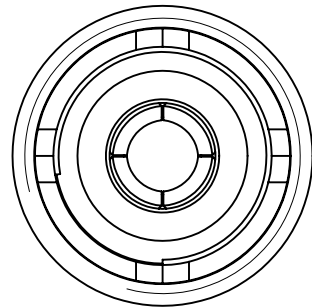


PART NUMBER	ITEM ① BODY	ITEM ② INSULATOR	ITEM ③ CONTACT
CP-AD204	BRASS NICKEL PLATED	DELTRIN	BERLLIUM GOLD PLATED

DRAWING NO. CP-AD204	
REVISIONS	
RELEASE FOR QUTATION	
A	06-21-06
ADD NOTES 4 & 5	
CHANGE TOL. ON OVERALL LENGTH	
B	12-26-06



NOTES:

- ELECTRICAL SPECIFICATIONS**
UHF IMPEDANCE: NON-CONSTANT
WORKING VOLTAGE: 500 VOLTS RMS AT SEA LEVEL
DIELECTRIC WITHSTANDING VOLTAGE: 1500 VOLTS RMS AT SEA LEVEL
INSULATION RESISTANCE: 5000 MEGOHMS MIN
- ENVIRONMENTAL SPECIFICATIONS**
TEMPERATURE RANGE: -55 °C TO +85 °C
- MECHANICAL CHARACTERISTICS:**
DURABILITY: 500 CYCLES
- PRODUCT SHOULD BE RoHS COMPLIANCE.**
- PACKAGING REQUIREMENT FOLLOWS ENGINEERING DOCUMENT P/N 836-4020001XX**

THIS DRAWING TO BE INTERPRETED
PER ANSI Y 14.5M - 1994

COMPANY CONFIDENTIAL

TOLERANCE UNLESS OTHERWISE SPECIFIED		DRAWN BY GARY.ZHG	DATE 12-26-06
DECIMALS	mm	CHECKED BY LINDA.WU	DATE 12-26-06
X	+ 1.0	APPROVED BY THOMAS	DATE 12-26-06
X.X	+ 0.5		
X.XX	+ 0.2		
ANGLES	+ 0.5°	U/M	mm

EMERSON
Network Power

Connectivity Solutions

TITLE
UHF ADAPTER, JACK TO JACK

THIS DRAWING WAS PRODUCED BY COMPUTER,
DO NOT SCALE DRAWING OR UPDATE MANUALLY.

SHEET 1 OF 1	DRAWING NO. CP-AD204	SIZE C
-----------------	-------------------------	-----------